



Enitra Sp. z o.o.
 ul. 1 Maja 62, 58-300 Walbrzych
 Tel. (0-74) 887-02-20 do 25
 Fax (0-74) 843-91-40; 887-02-23
 e-mail: enitra@enitra.pl
 internet: www.enitra.pl

**Sizing of explosion panels
 for silo**
 Zal. nr P.18-21

DATE

Necessary data for explosion panels selection:

Working temperature : °C

Working pressure : (mbar) (maksimum: 100 mbar+/- 15 %)

Working vacuum: (mbar)

User's language

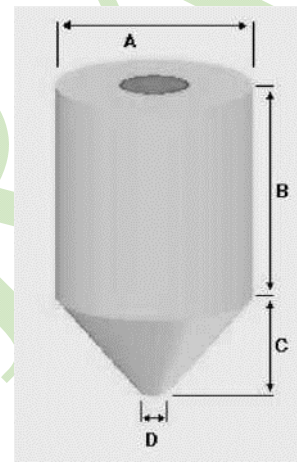
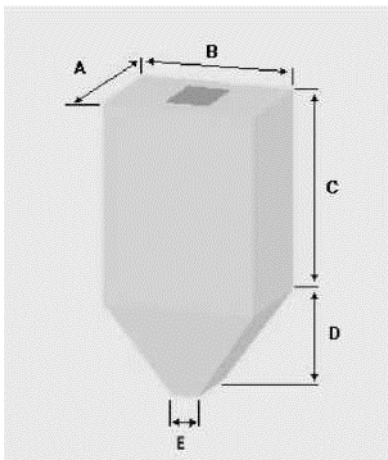
PRODUcT : Type :

.....

Max explosion pressure Pmax: (bar)

SILO :

Explosion index Kst:(bar.m/s)



SQUARE / RECTANGULAR

Depth A(m)

Width B(m)

Height of the body C(m)

Height of the hopper D(m)

Outlet dimensions E(m)

General data

Elevator Pressure resistance Pred max(bar)

ROUND

Średnica A(m)

Height of the body B(m)

Height of the hopper C(m)

Outlet diameter D(m)

φ.....(m)

Pipe length (if apply)(m)

(Length of the extracting from building – max 6m)

We can carry out a dimensioning with incomplete data, while estimating, in a reasonable way, the missing parameters, however the result will engage the customer who will have accepted these estimates

General Customer Data

Name, Surname..... Phone / Fax

Company Name.....

Address.....

Contact person